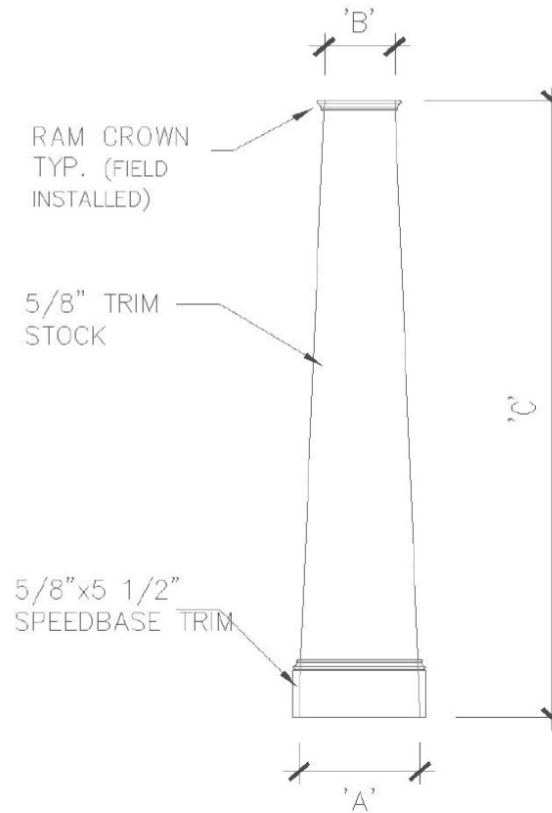


CALIBER 16" TAPERED COLUMN WRAPS

PART NUMBER	DESCRIPTION	A	B	C
002-01-02-45160905	16"x9"x5' Tapered SYN Column	16"	9"	5'
002-01-02-45160906	16"x9"x6' Tapered SYN Column	16"	9"	6'
002-01-02-45160907	16"x9"x7' Tapered SYN Column	16"	9"	7'
002-01-02-45160908	16"x9"x8' Tapered SYN Column	16"	9"	8'
002-01-02-45160909	16"x9"x9' Tapered SYN Column	16"	9"	9'
002-01-02-45160910	16"x9"x10' Tapered SYN Column	16"	9"	10'
002-01-02-45161205	16"x12"x5' Tapered SYN Column	16"	12"	5'
002-01-02-45161206	16"x12"x6' Tapered SYN Column	16"	12"	6'
002-01-02-45161207	16"x12"x7' Tapered SYN Column	16"	12"	7'
002-01-02-45161208	16"x12"x8' Tapered SYN Column	16"	12"	8'
002-01-02-45161209	16"x12"x9' Tapered SYN Column	16"	12"	9'



- ❖ Custom Sizes Available Upon Request
- ❖ Base options available
- ❖ Structural columns coming soon
- ❖ Recessed and Raised Panel Options Available
- ❖ 5/8 KLEER cellular PVC
- ❖ Weatherproof
- ❖ Insect Proof
- ❖ Indoor & Outdoor Use
- ❖ Low Maintenance
- ❖ Will not rot, twist, or bow
- ❖ Limited Warranty



980-237-7652
1500-Z Continental Blvd | Charlotte, NC 28273