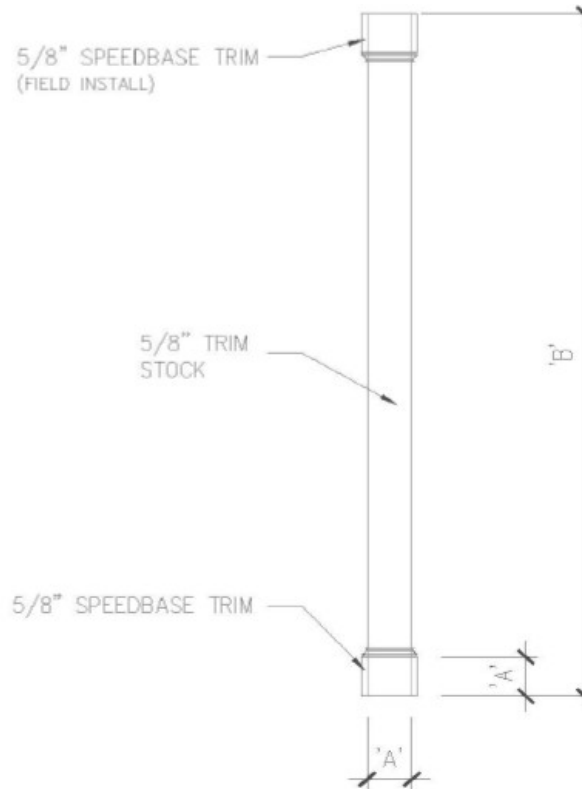


## CALIBER SQUARE COLUMN WRAPS

Part Number	Description	A	B
002-01-01-450606	6" x 6' SQ Synthetic Column	6"	6'
002-01-01-450608	6" x 8' SQ Synthetic Column	6"	8'
002-01-01-450609	6" x 9' SQ Synthetic Column	6"	9'
002-01-01-450610	6" x 10' SQ Synthetic Column	6"	10'
002-01-01-450806	8" x 6' SQ Synthetic Column	8"	6'
002-01-01-450808	8" x 8' SQ Synthetic Column	8"	8'
002-01-01-450809	8" x 9' SQ Synthetic Column	8"	9'
002-01-01-450810	8" x 10' SQ Synthetic Column	8"	10'
002-01-01-451006	10" x 6' SQ Synthetic Column	10"	6'
002-01-01-451008	10" x 8' SQ Synthetic Column	10"	8'
002-01-01-451009	10" x 9' SQ Synthetic Column	10"	9'
002-01-01-451010	10" x 10' SQ Synthetic Column	10"	10'
002-01-01-451206	12" x 6' SQ Synthetic Column	12"	6'
002-01-01-451208	12" x 8' SQ Synthetic Column	12"	8'
002-01-01-451209	12" x 9' SQ Synthetic Column	12"	9'
002-01-01-451210	12" x 10' SQ Synthetic Column	12"	10'



- ❖ Custom Sizes Available Upon Request
- ❖ Base options available
- ❖ Structural columns coming soon
- ❖ Recessed and Raised Panel Options Available
- ❖ 5/8 KLEER cellular PVC
- ❖ Weatherproof
- ❖ Insect Proof
- ❖ Indoor & Outdoor Use
- ❖ Low Maintenance
- ❖ Will not rot, twist, or bow
- ❖ Limited Warranty

**CALIBER**  
PRODUCTS

1500-Z Continental Blvd | Charlotte, NC 28273